

Fig. 1-37-1

1. Oil filler plug
2. Oil drain plug
3. Oil level plug

Transfer oil change

Oil capacity	0.8 liters (1.7/1.4 US/Imp. pt.)
Type of oil	Gear oil SAE 80W-90, 75W-80 or 75W-90

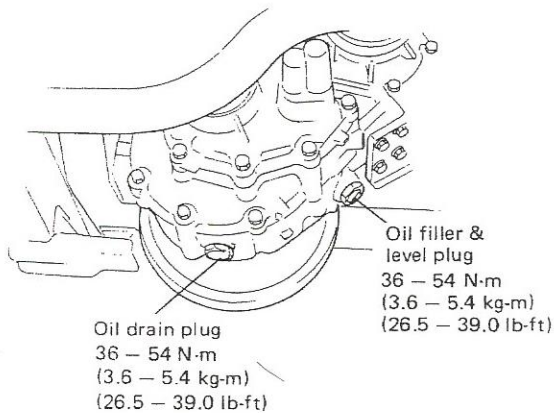


Fig. 1-37-2

Differential oil change (Front and rear)

	Front	Rear
Oil capacity	2.0 liters (4.2/3.5 US/Imp pt.)	1.5 liters (3.2/2.6 US/Imp pt.)
Type of oil	Hypoid gear oil, SAE 80W-90, 75W-80 or 75W-90	

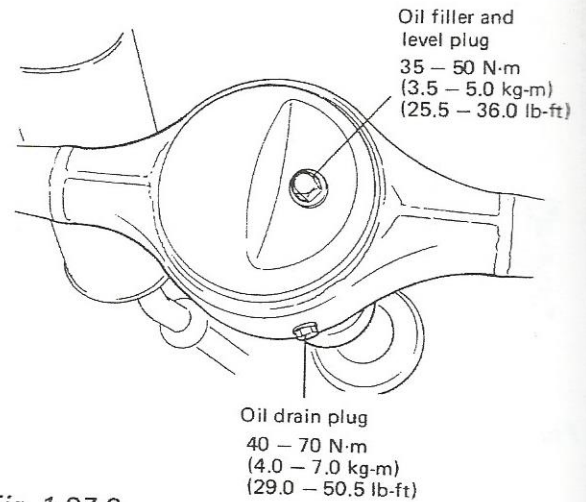


Fig. 1-37-3

38. LEAF SPRING INSPECTION

Check leaf spring for wear, crack and damage. (Where each end of the shorter leaf contacts.) If excessive wear or cracking is noted, replace the spring with a new one.

39. BOLTS AND NUTS TIGHTENING

Check suspension bolts and nuts for tightness and retighten them as necessary. Repair or replace defective parts, if any.

NOTICE:

For the details of check points, refer to the table of MAINTENANCE SERVICE (p. 17-24) of SECTION 17.

40. STEERING SYSTEM INSPECTION

- 1) Check steering wheel for play and rattle, holding car in straight forward condition on the ground.

Steering wheel play	10 – 30 mm (0.4 – 1.2 in.)
---------------------	-------------------------------

- 2) Check universal joint and rubber joint of steering shaft for rattle and damage. If rattle or damage is found, replace defective part with a new one.